

HIGH PERFORMANCE BUTTERFLY VALVE

SERIES 8100 - 9100

CARBON STEEL STAINLESS STEEL

Manually operated ANSI 150 class, high performance Wafer style butterfly valves.

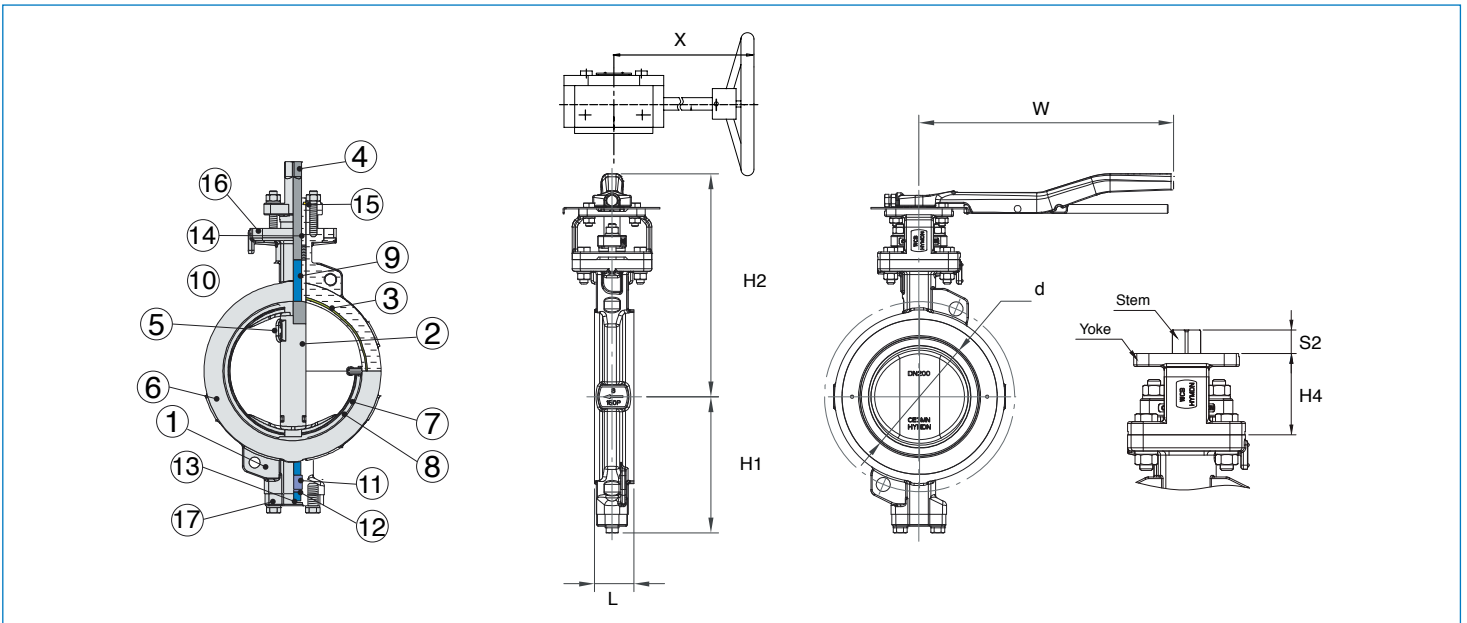
- Temperature range -20°F to 446°F, 150 WSP.
- ISO 5211 direct mounting pad/square stem.
- Compact design, easy access to packing.
- Replaceable seat design.
- Multiple V-ring stem packing.
- RPTFE seats, metal seats upon request.
- 14" to 24" sizes available upon request.
- NACE MR0175.
- FC170-2 compliant.
- CRNs available upon request.
- 10 position locking handle.
- Soft seat leakage protection - Class VI.
- Metal seat leakage protection - Class V.

8100-9100: size 2" to 12".

8120-9120: METAL SEATED VERSION - size 2" to 12".

8140-9140: API 607 FIRE SAFE VERSION - size 2" to 12".

G8100-G9100: GEAR OPERATED VERSION - size 2" to 12".



N POS	PART NAME	MATERIAL		N POS
1	BODY	A216 Gr. WCB	A351 Gr. CF8M	1
2	DISC	A351 Gr. CF8M		1
3	SEAT	8100 - 9100	Carbon-filled PTFE	1
		8120 - 9120	Inconel 718	
		8140 - 9140	Fire safe seat	
4	STEM	A182 Gr. F316		1
5	TAPER PIN	A182 Gr. F316L		2
6	RETAINER RING	A351 Gr. CF8M		1
7	SPRING	A182 Gr. F316		1
8	LOCK PIN	PTFE		1
9	STEM BUSH	PTFE + SS316L	A182 Gr. F316	2
10	GLAND PACKING	Carbon-filled RTFE		1
11	THRUST RING	A351 Gr. CF8M		1
12	THRUST PLATE	PTFE + SS316L		1
13	GASKET	PTFE		1
14	GLAND BUSH	A351 Gr. CF8M		1
15	ANTI-BLOWOUT PIN	A182 Gr. F316		1
16	GLAND FLANGE	A351 Gr. CF8		1
17	BOTTOM COVER	A351 Gr. CF8M		1

Size	L	D	D1	d	H1	H2	W	X	H4	S2	Stem	Yoke ISO	Cv	Break Torque	Weight Lbs
2"	1.77	3.74	5.91	1.81	4.65	9.21	8.66	6.06	2.76	0.63	14	F07	70	133	11.0
2 1/2"	1.89	4.41	7.09	2.40	4.96	9.53	8.66	6.06	2.76	0.63	14	F07	150	150	13.0
3"	1.89	4.96	7.48	2.99	5.28	10.24	8.66	6.06	2.76	0.63	14	F07	227	177	15.0
4"	2.13	6.10	9.06	3.78	5.67	10.63	8.66	6.06	2.76	0.63	14	F07	473	283	20.0
5"	2.24	7.24	10.04	4.65	7.01	11.42	11.81	6.06	2.76	0.75	17	F07	605	381	26.0
6"	2.24	8.46	11.02	5.63	7.48	12.01	11.81	6.06	3.15	0.75	17	F07	1010	487	29.0
8"	2.44	10.51	13.58	7.40	8.43	13.78	15.75	8.82	3.15	0.83	17	F10	2004	894	46.0
10"	2.76	12.83	15.94	9.29	10.00	10.24	-	8.82	3.94	0.94	22	F10	3199	1407	66.0
12"	3.19	14.76	19.09	11.06	11.73	11.42	-	8.46	3.94	1.14	27	F12	4672	2266	101.0